

BESMOKEY4
BESMOKEY4BK
BESMOKEY4SK
BESMOKEY4SKBK



Cleaning Guide:

Spraying cleaning products directly on to electrical switches or power points (sockets) is not recommended.

It is important to ensure that switches are turned off before cleaning.

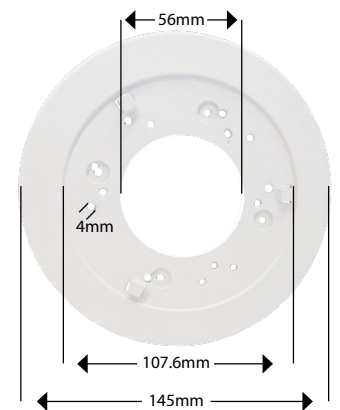
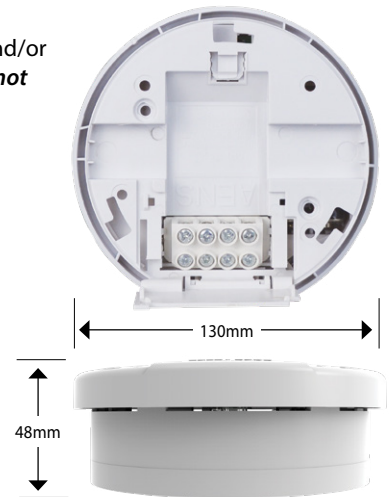
Do not use any cleaning sprays - only wipe down with damp cloth or rub with dry cloth. (Do not use an abrasive cloth as it may scratch the plastic).

Do not use harsh chemical cleaners as these can break down the plastic and cause it to crack.

Do not wash the cover plates in water over 60°C.

Photoelectric Smoke Alarm with Hinged Base Plate, 4 Terminals

- Tested and Approved to AS3786:2014
- **Operate as Single or Inter-connect up to 24 units**
 Operation: This smoke alarm operates as a single unit and/or interconnects up to 24 other units. *This smoke alarm is not designed to be interconnected with other products or accessories unless specified.*
- Activfire Listed
- Loud 85dBA Warning Siren
- Repeat 3 Long Beeps (ISO 8201) Indicated that particles of combustion have been detected
- 240V~ AC with 9V DC Battery Backup
- Warning for Low Battery
- Surface Mount Base Plate with Large Cable Terminals
- Single Test and Hush Button
- Red LED Alarm Status Indication
- Green LED AC Mains Power Indication
- Anti-Tamper Feature
- Photoelectric Sensing Technology
- Insect Screen protects Sensing Chamber
- Sleek Styling
- Easy Slide Base Plate
- Suitable for Ceiling or Wall Mounting
- Ten year warranty (does not include battery)
- Available in white or black - please check availability
- Fits BESMOKEY4SK Skirt to replace larger detectors and not leave paint marks



Smoke Alarm Skirt

- Perfect for covering miss matched paint marks from old smoke detectors
- Covers Ø145mm
- 80mm & 83.5mm Hole Centres

Detector needs to have base wired prior to installing skirt



Simply push and rotate BESMOKEY4 Smoke Alarm into place

Certification Number:

XF3339/R1

XF3229/R1

GSM Electrical (Australia) Pty Ltd

Level 2, 142-144 Fullarton Road, Rose Park SA 5067

P: 1300 301 838 F: 1300 301 778 E: service@gsme.com.au

www.gsme.com.au



BESMOKEY

Cleaning Guide:

Spraying cleaning products directly on to electrical switches or power points (sockets) is not recommended.

It is important to ensure that switches are turned off before cleaning.

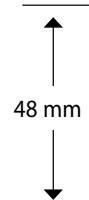
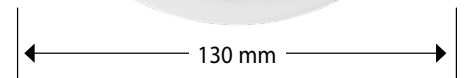
Do not use any cleaning sprays - only wipe down with damp cloth or rub with dry cloth. (Do not use an abrasive cloth as it may scratch the plastic).

Do not use harsh chemical cleaners as these can break down the plastic and cause it to crack.

Do not wash the cover plates in water over 60°C.

Bear Photoelectric Smoke Alarm

- Tested and Approved to AS3786:2014
- **Operate as Single or Inter-connect up to 24 units**
Operation: This smoke alarm operates as a single unit and/or interconnects up to 24 other units. *This smoke alarm is not designed to be interconnected with other products or accessories unless specified.*
- Activfire Listed
- Loud 85dBA Warning Siren
- Repeat 3 Long Beeps (ISO 8201) Indicated that particles of combustion have been detected.
- 240V~ AC with 9V DC Battery Backup
- Warning for Low Battery
- Surface Mount Base Plate with Large Cable Terminals
- Single Test and Hush Button
- Red LED Alarm Status Indication
- Green LED AC Mains Power Indication
- Anti-Tamper Feature
- Photoelectric Sensing Technology
- Insect Screen protects Sensing Chamber
- Sleek Styling
- Easy Slide Base Plate
- Suitable for Ceiling or Wall Mounting
- Ten year warranty (does not include battery)



Certification Number:

afp3251

GSM Electrical (Australia) Pty Ltd

Level 2, 142-144 Fullarton Road, Rose Park SA 5067

P: 1300 301 838 F: 1300 301 778 E: service@gsme.com.au

www.gsme.com.au

