

PUM610X
60CM UNDERMOUNT RANGEHOOD

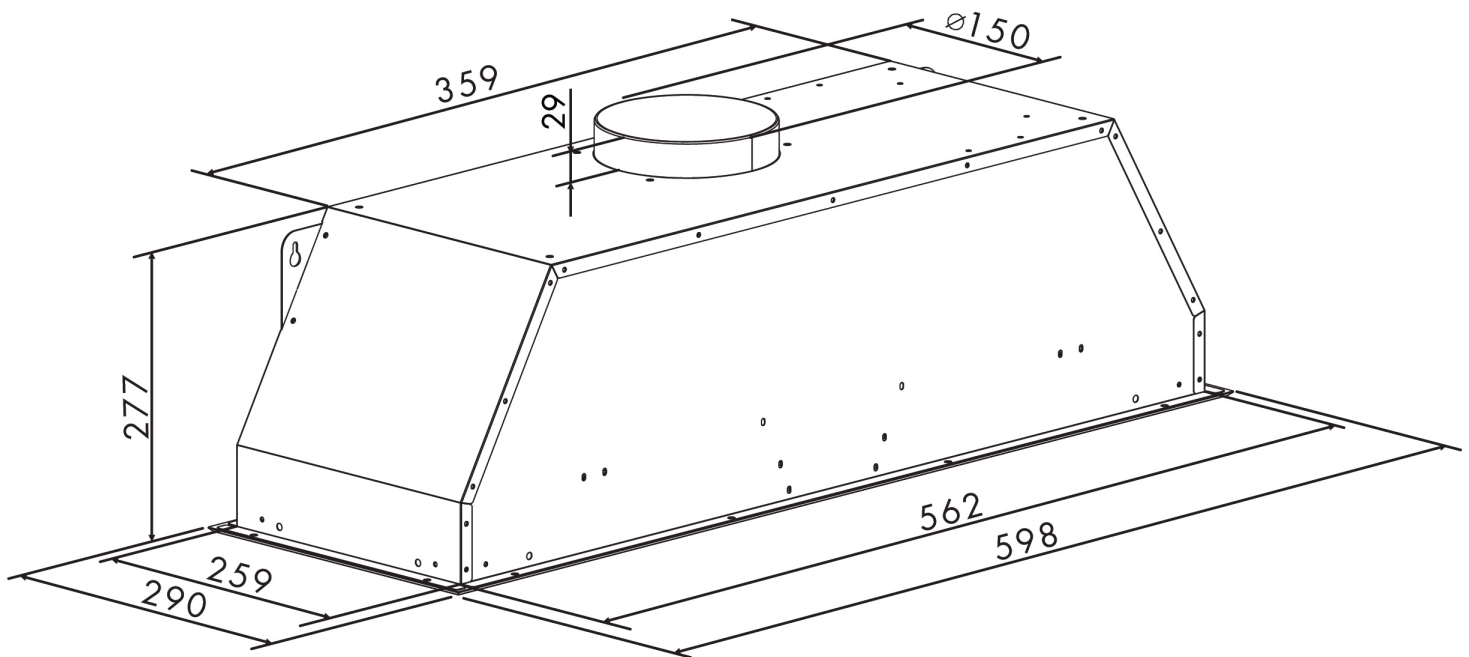


EAN 9345025002341

- Finish Stainless steel
- Controls Push button
- Dimensions 598mmW x 277mmH x 290mmD
- Installation Undermount
- Motor 1 x 190W
- Max Airflow 663m³/hr (IEC 61591)
- Noise rating 63-69dBA (IEC 60704-2-13)
- Illumination 2 x 1.5W LED
- Speeds Three + intensive
- Supplied Accessories 1 x Stainless steel filters
- Optional Accessories Charcoal filter
- Ducting Options Duct to atmosphere / recirculate
— 150mm diameter ducting required
- Power 220-240V
50/60Hz
10Amp
- Warranty Two years parts and labour

| | Extraction rate IEC 61591 [m ³ /h] | Noise level IEC 60704-2-13 [dB(A)] |
|-----------------|--|---------------------------------------|
| Speed 1 | 469 | 63 |
| Speed 2 | 544 | 66 |
| Speed 3 | 604 | 68 |
| Intensive speed | 663 | 69 |

PUM610X
60CM UNDERMOUNT RANGEHOOD



WARNING: technical specifications and product sizes can be varied by the manufacturer without notice. Cutouts for appliances should only be by physical product measurements. The above information is indicative only.

ID201211