

# CONDOR TWIN SPOT-13963

23W Twin Security Spot IP65

## Features

- Weatherproof IP65 rating
- Three different selectable colour temperatures
- Large terminals for easy installation
- 3 year warranty



## MECHANICAL

<b>Adjustability</b>	Gimbal
<b>Body Material</b>	Diecast Aluminium
<b>Diffuser Material</b>	Tempered Glass
<b>Product Finish</b>	Powdercoated
<b>Fitting Colour</b>	Black
<b>Installation Type</b>	Surface mount
<b>IP Rating</b>	IP65

## ELECTRICAL

<b>Electrical Rating (Class)</b>	1
<b>Input Current (A)</b>	0.23
<b>Input Frequency (Hz)</b>	50
<b>Input voltage</b>	230Vac
In Australia the Input voltage is defined as 230Vac -6%/+10%. This effectively means that the voltage range of these products are 216Vac - 253Vac or 240V +6%	
<b>Maximum Wattage (W)</b>	23
<b>Power Factor</b>	0.5
<b>Working Temp Range (C)</b>	-10 to 40

## LAMP

<b>Macadam Steps (SDCM)</b>	6-step MacAdam Ellipse
<b>Beam Angle (Deg)</b>	90
<b>CCT Configuration</b>	TRI-CCT
<b>CRI</b>	>80
<b>LED Type</b>	COB
<b>System Efficiency (L/W)</b>	106

## LED LIFETIME

<b>LED Lifetime (hr)</b>	50000
This is the Reported LED Lifetime in Hours based on TM-21. Atom does not list the projected or calculated LED lifetime, which is normally longer as TM-21 Addendum B explicitly states " The Calculated and Projected Lp(Dk) are not to be reported: This Lifetime refers to the life of a single LED however the system life is longer since the probability and binomial distribution of all LEDs in the system means that the average led is performing above the specification and compensates for the LEDs falling below.	
<b>LED Lifetime Rating</b>	L70B10

This rating defines the performance of the led within its lifetime. L relates to lumen depreciation, where the proceeding number gives the resultant lumen output at the end of it reported lifetime. L70, would mean 30% lumen depreciation which means 70% of its initial output. The B part refers to failures, which can be define as the percentage of LEDs which fall below the L value in the projected lifetime. A value of B10 refers to 10% failure and a value of B50 refers to 50% failure. This is a LED rating and not a system rating.

## COLOUR TEMPERATURE

22 Watts	
Warm White (3000)	2200 lm
Cool White (4000)	2450 lm
DayLight (5000)	2400 lm

## DRIVER

Dimmable	No
Driver Included	Yes
Integrated Driver	Yes
Driver Mode	Constant Current
Driver Power (W)	23
Driver Type	Fixed output

## COMPLIANCE

Standards	AS/NZS 60598.1 AS/NZS 60598.2.1 AS/NZS 61347.1 AS/NZS 61347.2.13 AS CISPR 15
-----------	--

## WARRANTY

Commercial Use Warranty	3 RTB (Total 3 Years)
Domestic Use Warranty	3 (Yr) RTB
VIP Warranty (Yr)	2 Onsite, 3 RTB (Total 5 Years)

## DIMENSIONS

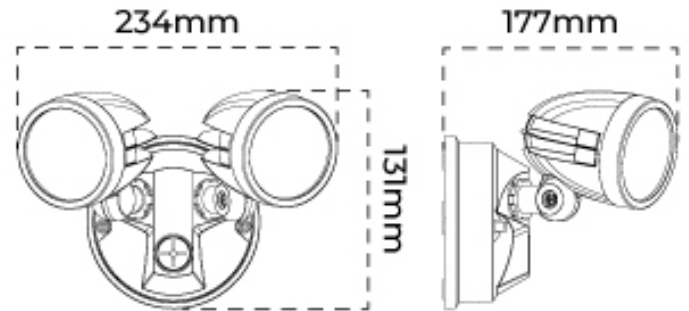
Product Height (mm)	131
Product Length (mm)	177
Product Weight (grams)	780
Product Width (mm)	234

## ORDERING INFORMATION

Order code	13963
Description	CONDOR TWIN SPOT-13963~23W Twin Security Spot IP65 Black
Driver Power (W)	23
Item Code	CONDOR TWIN SPOT-13963
Clearance Item	No

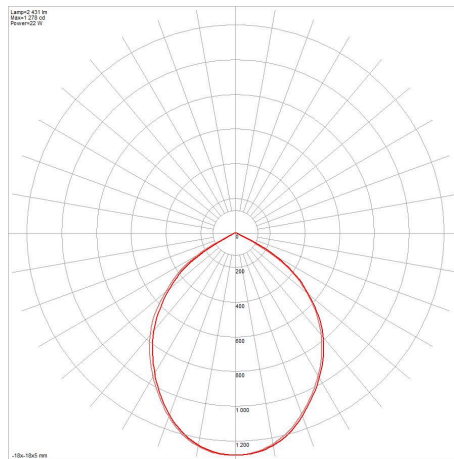
## LINE DRAWINGS

### Condor\_twin

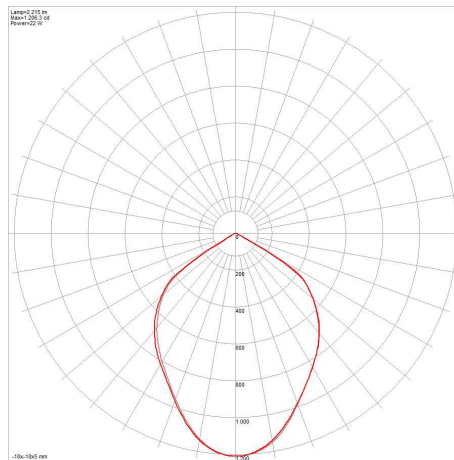


## PHOTOMETRICS

### CONDOR TWIN SPOT/13963/TRI/5000K



### CONDOR TWIN SPOT/13963/TRI/3000K



## CONDOR TWIN SPOT/13963/TRI/4000K

